

MONACO COMPONENTS, INC.

MECHANICAL / ELECTRONIC SOLID STATE BUZZER

**9000
series**

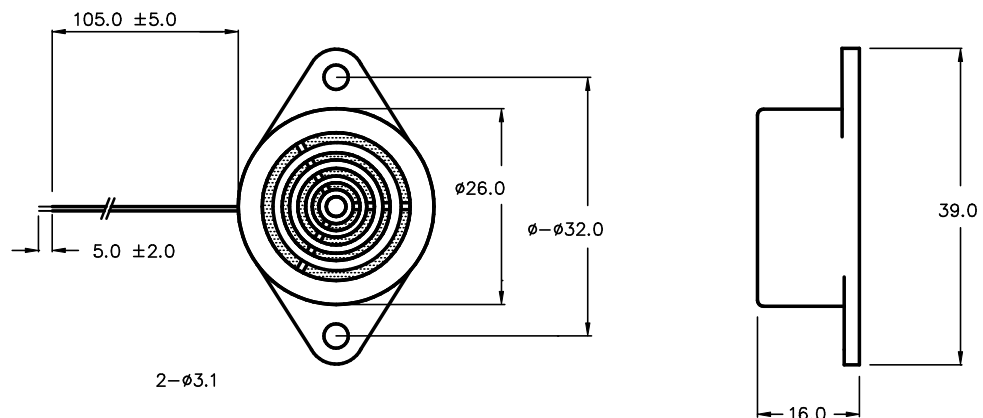
- Small size and lightweight.
- Wide operating voltage range.
- Long life.

MODEL	MTB-9290	MTB-9292	MTB-9294	MTB-9296
OPERATING FREQUENCY *	400 Hz \pm 100 Hz			
DRIVING CIRCUIT	BUILT IN			
OPERATING VOLTAGE	2 - 4 V	4 - 8 V	8 - 16 V	18 - 30 V
RATED VOLTAGE	3 V	6 V	12 V	24 V
SOUND PRESSURE *	85 dB @ 30 cm			
CURRENT CONSUMPTION *	17 mA MAX.	20 mA MAX.	22 mA MAX.	18 mA MAX.
tone	CONTINUOUS			
CONNECTION STYLE	FLANGE / LEADS			
OPERATING TEMPERATURE	-20° to +60° C			

* VALUES AT RATED VOLTAGE

MTB-9290
MTB-9292
MTB-9294
MTB-9296

COLOR : WHITE



ALL DIMENSIONS IN mm

SPECIFICATIONS SUBJECT TO CHANGE WITHOUT NOTIFICATION / MODELS SHOWN SUBJECT TO LIMITED WARRANTY

SALES OFFICE (516)-767-6644

CORPORATE OFFICE

P.O. Box 575, Scotch Plains, NJ. 07076

Phone: (908)-322-2977 Fax: (908)-322-2358

E-mail: info@monacocomponents.com

www.monacocomponents.com