

MONACO COMPONENTS, INC.

BUILT-IN DRIVE STYLE ELECTRO-MAGNETIC

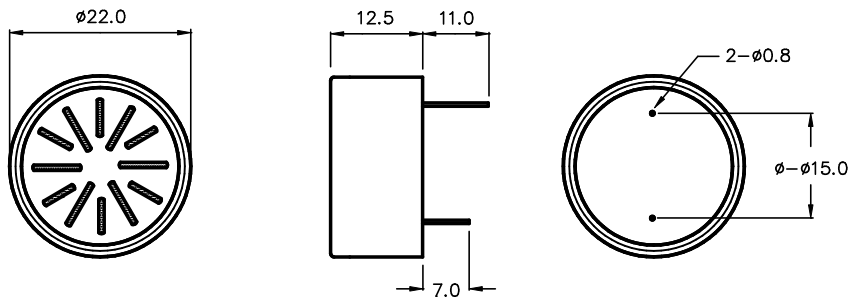
**8000
series**

- Variety of tone types and sound output levels.
- Available with either pins or wire leads.
- Wide range of operating voltages.

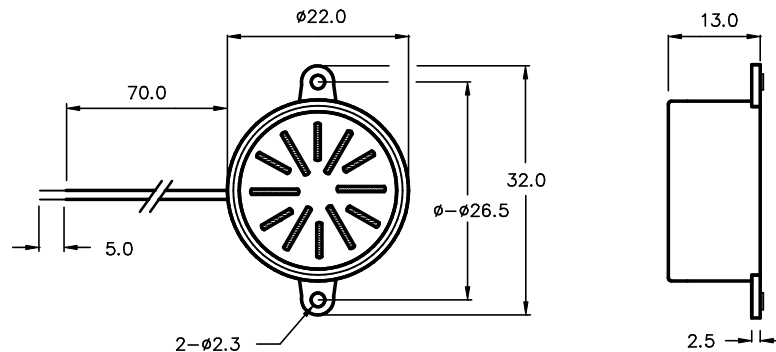
| MODEL | MMF-8250 | MMF-8251 | MMF-8254 | MMF-8253 |
|-----------------------|----------------------|----------|---------------------|----------|
| FREQUENCY * | 3500 Hz \pm 500 Hz | | | |
| DRIVING CIRCUIT | BUILT IN | | | |
| OPERATING VOLTAGE | 6 - 16 V | | 7 - 28 V | |
| RATED VOLTAGE | 12 V | | 24 V | |
| SOUND PRESSURE * | 80 dBA MIN. @ 30 cm | | 85 dBA MIN. @ 30 cm | |
| RATED CURRENT * | 10 mA MAX. | | 8 mA MAX. | |
| tone | CONTINUOUS | | | |
| CONNECTION STYLE | PCB MOUNT (PINS) | LEADS | PCB MOUNT (PINS) | LEADS |
| OPERATING TEMPERATURE | -20° to +60° C | | | |

* VALUES AT RATED VOLTAGE

MMF-8250
MMF-8251



MMF-8254
MMF-8253



ALL DIMENSIONS IN mm

SPECIFICATIONS SUBJECT TO CHANGE WITHOUT NOTIFICATION / MODELS SHOWN SUBJECT TO LIMITED WARRANTY

SALES OFFICE (516)-767-6644

CORPORATE OFFICE

P.O. Box 575, Scotch Plains, NJ. 07076

Phone: (908)-322-2977 Fax: (908)-322-2358

E-mail: info@monacocomponents.com

www.monacocomponents.com