

MONACO COMPONENTS, INC.

BUILT-IN DRIVE STYLE ELECTRO-MAGNETIC

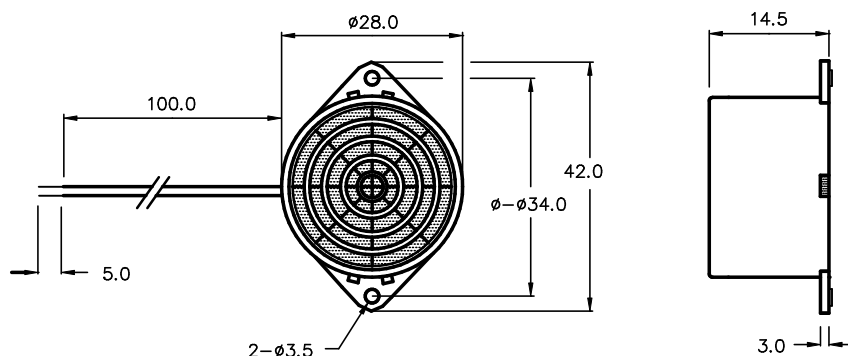
8000 series

- Variety of tone types and sound output levels.
- Available with either pins or wire leads.
- Wide range of operating voltages.

MODEL	MMF-8235	MMF-8237	MMF-8239	MMF-8241	MMF-8243
FREQUENCY *	2800 Hz \pm 200 Hz				
DRIVING CIRCUIT	BUILT IN				
OPERATING VOLTAGE	4 - 9 VDC	6 - 11 VDC	4 - 15 VDC	9 - 15 VDC	15 - 28 VDC
RATED VOLTAGE	6 VDC	9 VDC	12 VDC	12 VDC	24 VDC
SOUND PRESSURE *	85 dBA MIN. @ 30 cm			90 dBA MIN. @ 30 cm	
RATED CURRENT *	35 mA MAX.	40 mA MAX.	15 mA MAX.	40 mA MAX.	20 mA MAX.
tone	CONTINUOUS				
CONNECTION STYLE	FLANGE / LEADS				
OPERATING TEMPERATURE	-20° to +60° C				

* VALUES AT RATED VOLTAGE

MMF-8235
MMF-8237
MMF-8239
MMF-8241
MMF-8243



ALL DIMENSIONS IN mm

SPECIFICATIONS SUBJECT TO CHANGE WITHOUT NOTIFICATION / MODELS SHOWN SUBJECT TO LIMITED WARRANTY

SALES OFFICE (516)-767-6644

CORPORATE OFFICE

P.O. Box 575, Scotch Plains, NJ. 07076

Phone: (908)-322-2977 Fax: (908)-322-2358

E-mail: info@monacocomponents.com

www.monacocomponents.com