

MONACO COMPONENTS, INC.

EXTERNAL DRIVE STYLE ELECTRO-MAGNETIC

**7000
series**

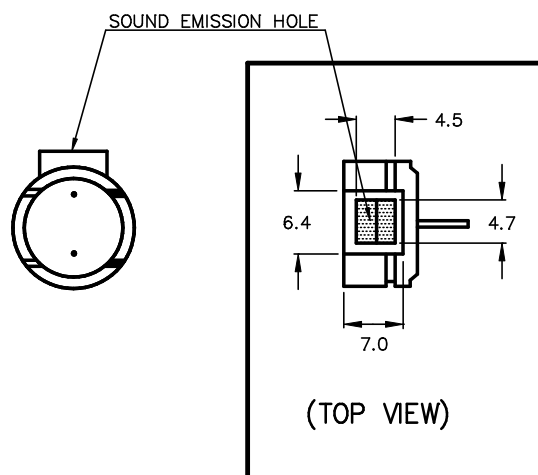
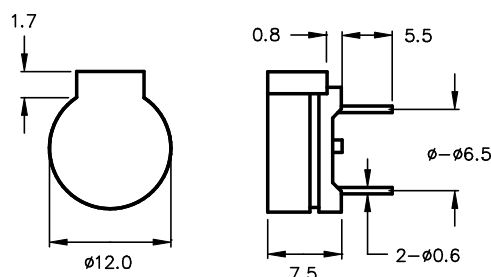
- Side opening for sound emission.
- Three different responses available.
- Compact design.

MODEL	MMF-7112	MMF-7114	MMF-7117
RATED VOLTAGE	1.5 V		
OPERATING VOLTAGE	1 - 2 V		
RATED CURRENT *	70 mA MAX.		10 mA MAX.
COIL RESISTANCE	6.5 ± 1.0 OHMS		50.0 ± 7.5 OHMS
DRIVE CIRCUIT	EXTERNAL		
COIL IMPEDANCE **	16 OHMS	22 OHMS	140 OHMS
SOUND PRESSURE *	80 dBA MIN. @ 10 cm	85 dBA MIN. @ 10 cm	70 dBA MIN. @ 10 cm
RESONANT FREQUENCY	2048 Hz	2731 Hz	2048 Hz
tone	DEPENDENT ON DRIVE CIRCUIT USED		
CONNECTION STYLE	PCB MOUNT (PINS)		
OPERATING TEMPERATURE	-20° to +60° C		

* VALUE AT RATED VOLTAGE (RESONANT FREQUENCY, 1/2 DUTY SQUAREWAVE)

** RESONANT FREQUENCY, SINEWAVE, CURRENT 60 MICRO-AMPS

MMF-7112
MMF-7114
MMF-7117



NORYL SEI HOUSING MATERIAL

ALL DIMENSIONS IN mm

SPECIFICATIONS SUBJECT TO CHANGE WITHOUT NOTIFICATION / MODELS SHOWN SUBJECT TO LIMITED WARRANTY

SALES OFFICE (516)-767-6644

CORPORATE OFFICE

P.O. Box 575, Scotch Plains, NJ. 07076

Phone: (908)-322-2977 Fax: (908)-322-2358

E-mail: info@monacocomponents.com

www.monacocomponents.com