

# MONACO COMPONENTS, INC.

EXTERNAL DRIVE STYLE      ELECTRO-MAGNETIC

**7000  
series**

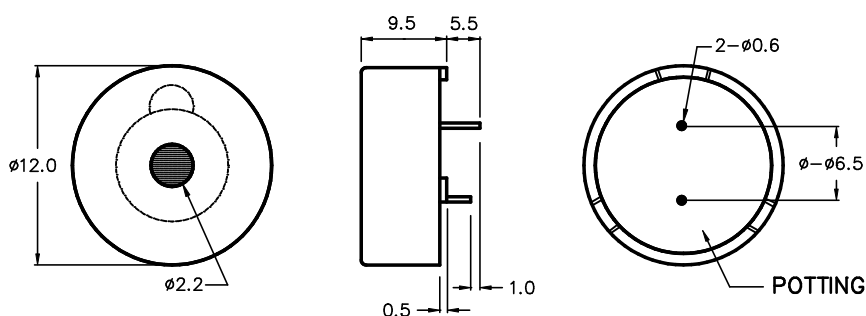
- Wave solderable and washable.
- Sealed design.
- Wide voltage and temperature ranges.

MODEL	MMF-7101	MMF-7102	MMF-7104
RATED VOLTAGE	1.5 V	5 V	12 V
OPERATING VOLTAGE	1 - 2 V	3 - 8 V	6 - 15 V
RATED CURRENT *	70 mA MAX.	40 mA MAX.	
COIL RESISTANCE	6.5 ± 1.0 OHMS	47 ± 5 OHMS	140 ± 14 OHMS
DRIVE CIRCUIT	EXTERNAL		
COIL IMPEDANCE **	16 OHMS	80 OHMS	240 OHMS
SOUND PRESSURE *	80 dBA MIN. @ 10 cm	85 dBA MIN. @ 10 cm	
RESONANT FREQUENCY	2400 Hz		
tone	DEPENDENT ON DRIVE CIRCUIT USED		
CONNECTION STYLE	PCB MOUNT (PINS)		
OPERATING TEMPERATURE	-40° to +85° C		

\* VALUE AT RATED VOLTAGE (RESONANT FREQUENCY, 1/2 DUTY SQUAREWAVE)

\*\* RESONANT FREQUENCY, SINEWAVE, CURRENT 60 MICRO-AMPS

MMF-7101  
MMF-7102  
MMF-7104



NORYL SEI-GFN2 HOUSING MATERIAL  
SEALED AND WASHABLE

ALL DIMENSIONS IN mm

SPECIFICATIONS SUBJECT TO CHANGE WITHOUT NOTIFICATION / MODELS SHOWN SUBJECT TO LIMITED WARRANTY

**SALES OFFICE (516)-767-6644**

CORPORATE OFFICE

P.O. Box 575, Scotch Plains, NJ. 07076

Phone: (908)-322-2977 Fax: (908)-322-2358

E-mail: [info@monacocomponents.com](mailto:info@monacocomponents.com)

[www.monacocomponents.com](http://www.monacocomponents.com)