

MONACO COMPONENTS, INC.

SELF-DRIVEN STYLE

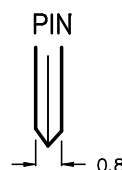
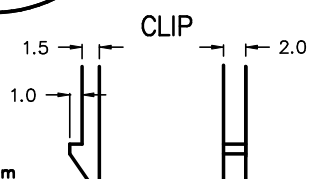
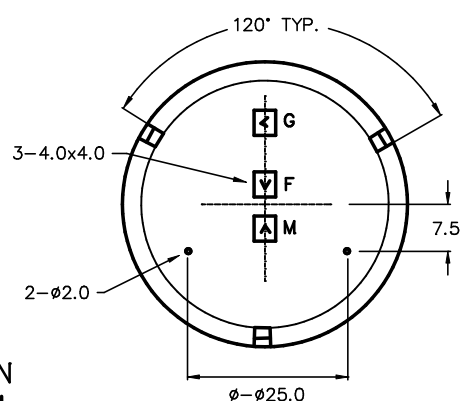
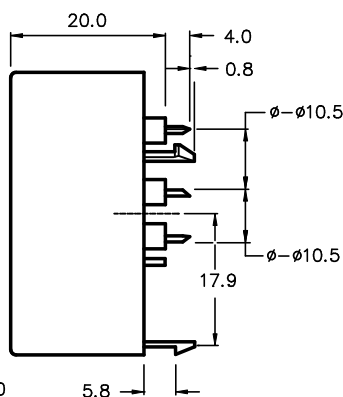
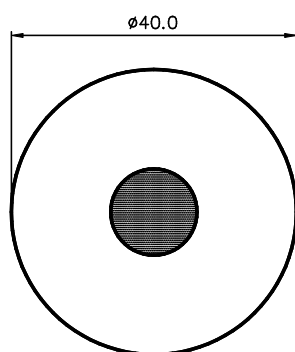
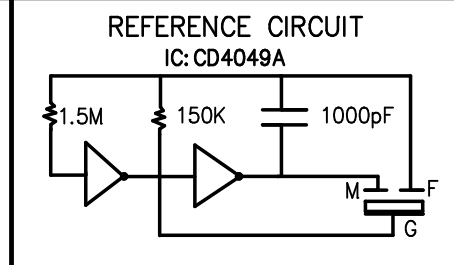
**6000
series**

- PCB mounting with locking clips.
- Rich sound output.
- High efficiency.

| MODEL | MPF-6406 | MPF-6407 |
|-----------------------|----------------------|----------|
| RESONANT FREQUENCY | 3400 Hz \pm 500 Hz | |
| OPERATING VOLTAGE | 4.5 - 15 V | |
| RATED VOLTAGE | 9 V | |
| DRIVE CIRCUIT | SELF DRIVEN | |
| SOUND PRESSURE * | 95 dBA MIN. @ 30 cm | |
| CURRENT CONSUMPTION * | 15 mA MAX. | |
| CONNECTION STYLE | PCB MOUNT (PINS) | |
| OPERATING TEMPERATURE | -20° to +60° C | |

* VALUES @ RATED VOLTAGE USING REFERENCE DRIVE CIRCUIT
The current consumption and sound pressure level are measured by using a reference drive circuit. This is only one example.

MPF-6406 : ABS HOUSING MATERIAL
MPF-6407 : NYLON HOUSING MATERIAL



ALL DIMENSIONS IN mm

SPECIFICATIONS SUBJECT TO CHANGE WITHOUT NOTIFICATION / MODELS SHOWN SUBJECT TO LIMITED WARRANTY

SALES OFFICE (516)-767-6644

CORPORATE OFFICE

P.O. Box 575, Scotch Plains, NJ. 07076

Phone: (908)-322-2977 Fax: (908)-322-2358

E-mail: info@monacocomponents.com

www.monacocomponents.com