

MONACO COMPONENTS, INC.

SELF-DRIVEN STYLE

**6000
series**

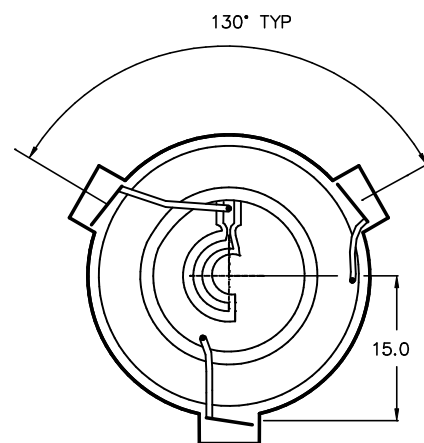
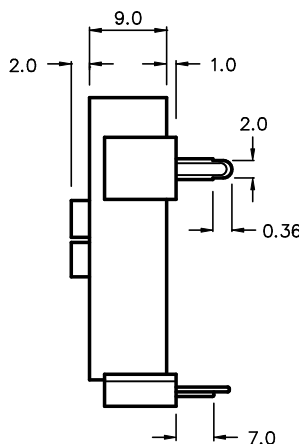
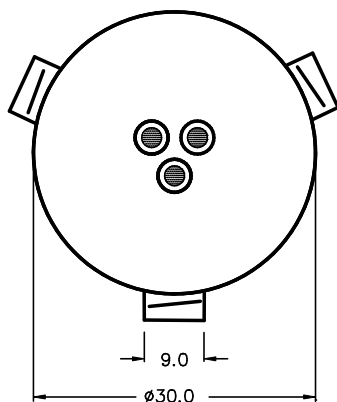
- High sound output.
- Low current drain.
- High efficiency.

MODEL	MPF-6314
RESONANT FREQUENCY	2700 Hz \pm 500 Hz
OPERATING VOLTAGE	1.5 - 24 V
RATED VOLTAGE	3 V
DRIVE CIRCUIT	SELF DRIVEN
SOUND PRESSURE *	75 dBA MIN. @ 10 cm
CURRENT CONSUMPTION *	-
CONNECTION STYLE	PCB MOUNT (PLATE TERMINAL)
OPERATING TEMPERATURE	0° to +120° C

* VALUES @ RATED VOLTAGE USING REFERENCE DRIVE CIRCUIT

The current consumption and sound pressure level are measured by using a reference drive circuit. This is only one example.

MPF-6314



PBT HOUSING MATERIAL

ALL DIMENSIONS IN mm

SPECIFICATIONS SUBJECT TO CHANGE WITHOUT NOTIFICATION / MODELS SHOWN SUBJECT TO LIMITED WARRANTY

SALES OFFICE (516)-767-6644

CORPORATE OFFICE

P.O. Box 575, Scotch Plains, NJ. 07076

Phone: (908)-322-2977 Fax: (908)-322-2358

E-mail: info@monacocomponents.com

www.monacocomponents.com