

MONACO COMPONENTS, INC.

SELF-DRIVEN STYLE

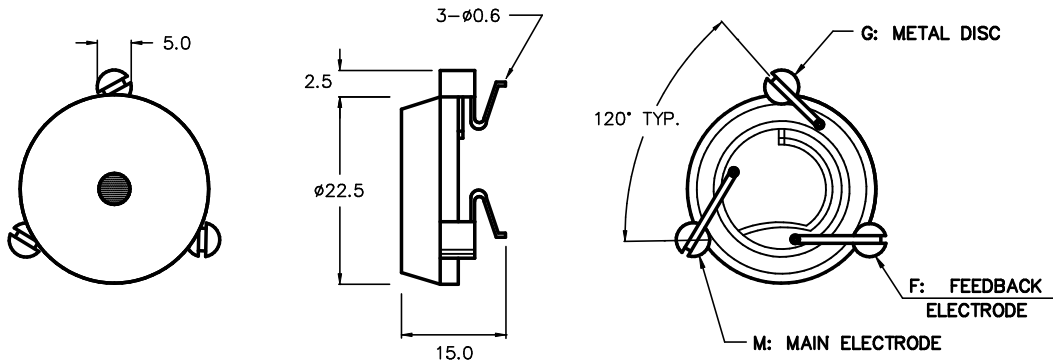
**6000
series**

- High sound output.
- Low current drain.
- High efficiency.

| MODEL | MPF-6208 |
|-----------------------|----------------------|
| RESONANT FREQUENCY | 3500 Hz \pm 500 Hz |
| OPERATING VOLTAGE | 3 - 24 V |
| RATED VOLTAGE | 12 V |
| DRIVE CIRCUIT | SELF DRIVEN |
| SOUND PRESSURE * | 70 dBA MIN. @ 100 cm |
| CURRENT CONSUMPTION * | 30 mA MAX. |
| CONNECTION STYLE | PCB MOUNT (PINS) |
| OPERATING TEMPERATURE | -20° to +70° C |

* VALUES @ RATED VOLTAGE USING REFERENCE DRIVE CIRCUIT
 The current consumption and sound pressure level are measured by using a reference drive circuit. This is only one example.

MPF-6208
 COLOR : GREY



ALL DIMENSIONS IN mm

SPECIFICATIONS SUBJECT TO CHANGE WITHOUT NOTIFICATION / MODELS SHOWN SUBJECT TO LIMITED WARRANTY

SALES OFFICE (516)-767-6644

CORPORATE OFFICE

P.O. Box 575, Scotch Plains, NJ. 07076

Phone: (908)-322-2977 Fax: (908)-322-2358

E-mail: info@monacocomponents.com

www.monacocomponents.com