

MONACO COMPONENTS, INC.

SELF-DRIVEN STYLE

**6000
series**

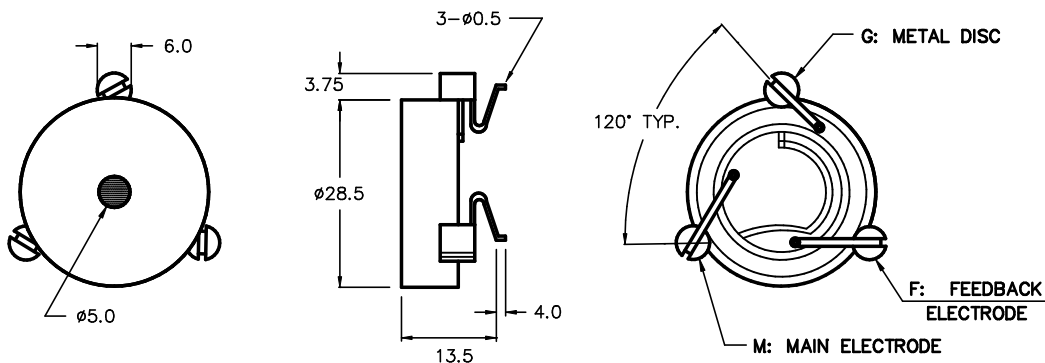
- High sound output.
- Low current drain.
- High efficiency.

MODEL	MPF-6202
RESONANT FREQUENCY	3000 Hz \pm 500 Hz
OPERATING VOLTAGE	3 - 24 V
RATED VOLTAGE	12 V
DRIVE CIRCUIT	SELF DRIVEN
SOUND PRESSURE *	75 dBA MIN. @ 100 cm
CURRENT CONSUMPTION *	30 mA
CONNECTION STYLE	PCB MOUNT (PINS)
OPERATING TEMPERATURE	-25° to +70° C

* VALUES @ RATED VOLTAGE USING REFERENCE DRIVE CIRCUIT

The current consumption and sound pressure level are measured by using a reference drive circuit. This is only one example.

MPF-6202
COLOR : GREY



ALL DIMENSIONS IN mm

SPECIFICATIONS SUBJECT TO CHANGE WITHOUT NOTIFICATION / MODELS SHOWN SUBJECT TO LIMITED WARRANTY

SALES OFFICE (516)-767-6644

CORPORATE OFFICE

P.O. Box 575, Scotch Plains, NJ. 07076

Phone: (908)-322-2977 Fax: (908)-322-2358

E-mail: info@monacocomponents.com

www.monacocomponents.com