

MONACO COMPONENTS, INC.

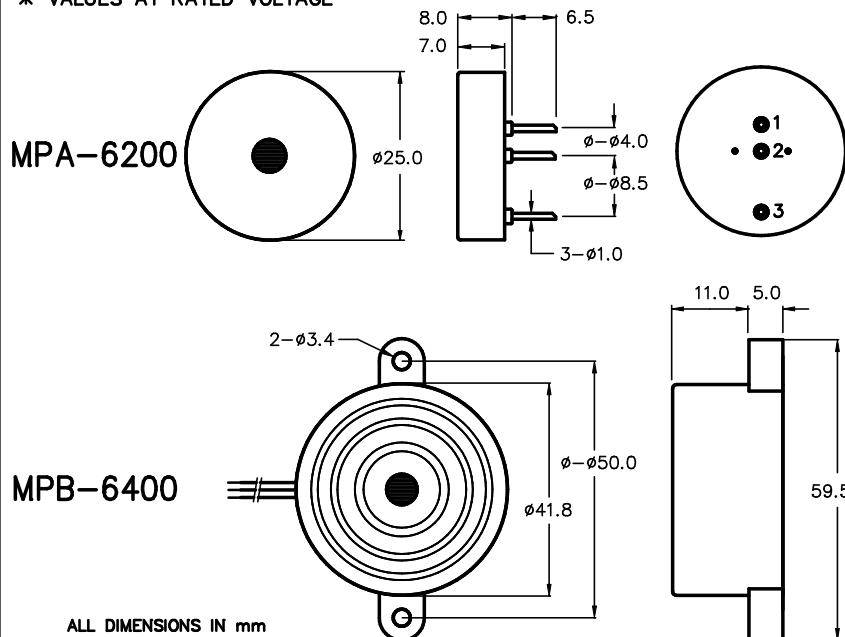
SELF-DRIVEN STYLE

**6000
series**

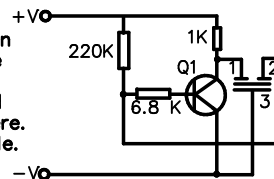
- Rich sound output and low current drain.
- The recommended oscillating circuit utilizes transistor switching.
- PC board mounting or flange mounting with three pins or three leadwires.

MODEL	MPA-6200	MPB-6400
RESONANT FREQUENCY	3500 Hz \pm 500 Hz	2800 Hz \pm 500 Hz
OPERATING VOLTAGE	30 V _{p-p} MAX.	3 - 28 VDC
RATED VOLTAGE	12 V _{p-p}	12 VDC
CAPACITANCE	18000 \pm 30% pF	-
DRIVE CIRCUIT	SELF DRIVEN	SELF DRIVEN
SOUND PRESSURE *	82 dB @ 30 cm	95 dB MIN. @ 30 cm
CURRENT CONSUMPTION *	6 mA	8 mA MAX.
RESONANT RESISTANCE	500 OHMS MAX.	-
TONE	CONTINUOUS	CONTINUOUS
CONNECTION STYLE	PCB MOUNT (PINS)	FLANGE / LEADS
OPERATING TEMPERATURE	-20° to +110° C	-20° to +60° C

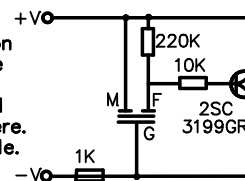
* VALUES AT RATED VOLTAGE



The current consumption and the sound pressure level are measured by using the recommended driving circuit shown here. This is only one example.



The current consumption and the sound pressure level are measured by using the recommended driving circuit shown here. This is only one example.



SPECIFICATIONS SUBJECT TO CHANGE WITHOUT NOTIFICATION / MODELS SHOWN SUBJECT TO LIMITED WARRANTY

SALES OFFICE (516)-767-6644

CORPORATE OFFICE

P.O. Box 575, Scotch Plains, NJ. 07076

Phone: (908)-322-2977 Fax: (908)-322-2358

E-mail: info@monacocomponents.com

www.monacocomponents.com