

# MONACO COMPONENTS, INC.

EXTERNAL DRIVE STYLE      FLANGE WITH LEADWIRES

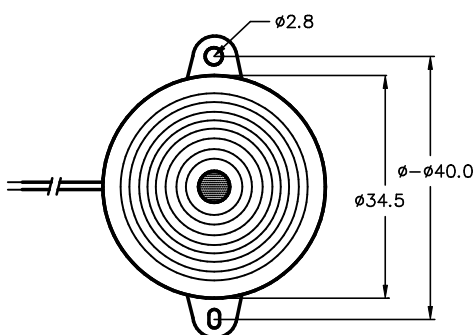
**5000  
series**

- Lightweight.
- Rich sound output.
- Low current drain.

MODEL	MPF-5316
RESONANT FREQUENCY	1000 Hz
OPERATING VOLTAGE	30 V <sub>p-p</sub> MAX.
RATED VOLTAGE	3 V <sub>rms</sub> SINEWAVE
CAPACITANCE	50000 ± 30% pF @ 1000 Hz
DRIVE CIRCUIT	EXTERNAL
SOUND PRESSURE *	70 dBA MIN. @ 10 cm
CURRENT CONSUMPTION *	1.5 mA MAX.
tone	DEPENDENT ON DRIVE CIRCUIT USED
CONNECTION STYLE	FLANGE / LEADS
OPERATING TEMPERATURE	-20° to +70° C

\* VALUES AT RATED VOLTAGE

**MPF-5316**  
STAINLESS STEEL SUBSTRATE



ALL DIMENSIONS IN mm

SPECIFICATIONS SUBJECT TO CHANGE WITHOUT NOTIFICATION / MODELS SHOWN SUBJECT TO LIMITED WARRANTY

**SALES OFFICE (516)-767-6644**  
CORPORATE OFFICE  
P.O. Box 575, Scotch Plains, NJ. 07076  
Phone: (908)-322-2977 Fax: (908)-322-2358  
E-mail: [info@monacocomponents.com](mailto:info@monacocomponents.com)  
[www.monacocomponents.com](http://www.monacocomponents.com)