

# MONACO COMPONENTS, INC.

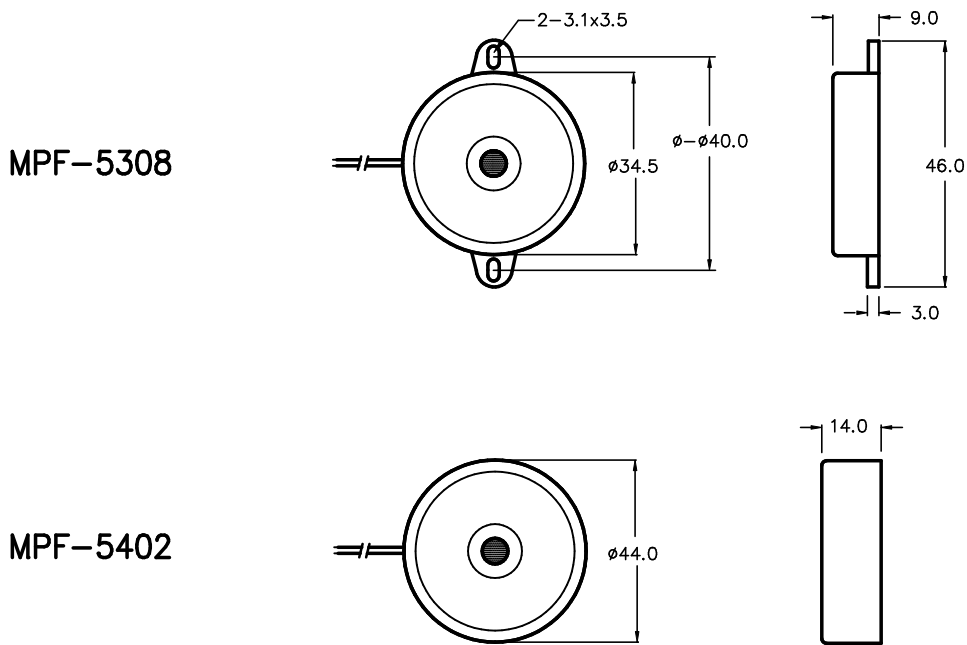
EXTERNAL DRIVE STYLE      FLANGE WITH LEADWIRERS

**5000  
series**

- Lightweight.
- Rich sound output.
- Low current drain.

MODEL	MPF-5308	MPF-5402
RESONANT FREQUENCY	1000 Hz	1000 Hz
OPERATING VOLTAGE	40 V <sub>p-p</sub> MAX.	40 V <sub>p-p</sub> MAX.
RATED VOLTAGE	12 V <sub>p-p</sub> SQUAREWAVE	12 V <sub>p-p</sub> SQUAREWAVE
CAPACITANCE *	45000 ± 30% pF @ 120 Hz	66000 ± 30% pF @ 120 Hz
DRIVE CIRCUIT	EXTERNAL	
SOUND PRESSURE *	75 dBA MIN. @ 30 cm	80 dBA MIN. @ 30 cm
CURRENT CONSUMPTION *	3.0 mA MAX.	4.0 mA MAX.
tone	DEPENDENT ON DRIVE CIRCUIT USED	
CONNECTION STYLE	FLANGE / LEADS	WIRE LEADS
OPERATING TEMPERATURE	-20° to +60° C	

\* VALUES AT RATED VOLTAGE & RESONANT FREQUENCY



ALL DIMENSIONS IN mm

SPECIFICATIONS SUBJECT TO CHANGE WITHOUT NOTIFICATION / MODELS SHOWN SUBJECT TO LIMITED WARRANTY

**SALES OFFICE (516)-767-6644**  
**CORPORATE OFFICE**  
 P.O. Box 575, Scotch Plains, NJ. 07076  
 Phone: (908)-322-2977 Fax: (908)-322-2358  
 E-mail: info@monacocomponents.com  
 www.monacocomponents.com