

MONACO COMPONENTS, INC.

EXTERNAL DRIVE STYLE FLANGE WITH LEADWIRERS

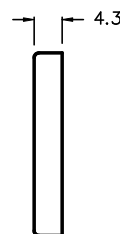
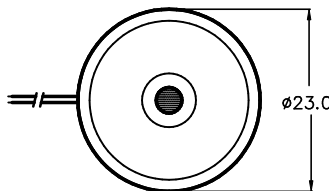
**5000
series**

- Small size and lightweight.
- Rich sound output.
- Low current drain.

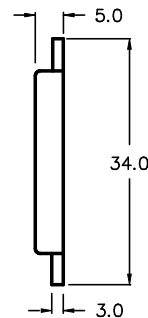
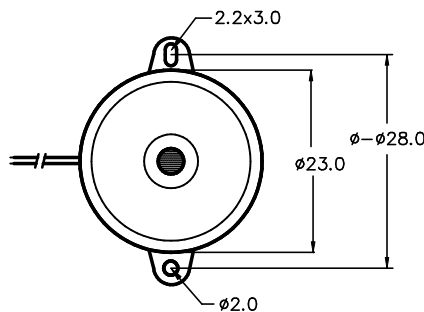
MODEL	MPF-5208	MPF-5206
RESONANT FREQUENCY	5000 Hz	4000 Hz
OPERATING VOLTAGE	40 V _{p-p} MAX.	40 V _{p-p} MAX.
RATED VOLTAGE	12 V _{p-p} SQUAREWAVE	12 V _{p-p} SQUAREWAVE
CAPACITANCE *	15000 ± 30% pF @ 120 Hz	24000 ± 30% pF @ 120 Hz
DRIVE CIRCUIT	EXTERNAL	
SOUND PRESSURE *	70 dBA MIN. @ 30 cm	80 dBA MIN. @ 30 cm
CURRENT CONSUMPTION *	5.0 mA MAX.	4.0 mA MAX.
tone	DEPENDENT ON DRIVE CIRCUIT USED	
CONNECTION STYLE	FLANGE / LEADS	
OPERATING TEMPERATURE	-20° to +60° C	

* VALUES AT RATED VOLTAGE

MPF-5208



MPF-5206



ALL DIMENSIONS IN mm

SPECIFICATIONS SUBJECT TO CHANGE WITHOUT NOTIFICATION / MODELS SHOWN SUBJECT TO LIMITED WARRANTY

SALES OFFICE (516)-767-6644
CORPORATE OFFICE
 P.O. Box 575, Scotch Plains, NJ. 07076
 Phone: (908)-322-2977 Fax: (908)-322-2358
 E-mail: info@monacocomponents.com
www.monacocomponents.com