

MONACO COMPONENTS, INC.

EXTERNAL DRIVE STYLE PCB MOUNTING

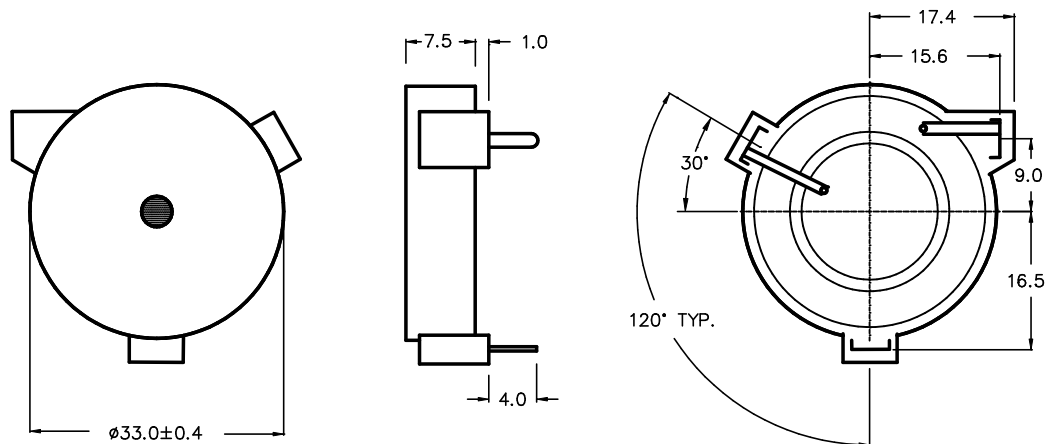
**4000
series**

- Compact design.
- Three pins for PCB mounting.

MODEL	MPF-4229
RESONANT FREQUENCY	1000 Hz
OPERATING VOLTAGE	45 V _{p-p} MAX.
RATED VOLTAGE	3 V _{rms} SINEWAVE
CAPACITANCE *	60000 ± 30% pF @ 1000 Hz
DRIVE CIRCUIT	SELF DRIVEN
SOUND PRESSURE *	70 dBA MIN. @ 10 cm
CURRENT CONSUMPTION *	DEPENDENT ON DRIVE CIRCUIT USED
RESONANT RESISTANCE *	DEPENDENT ON DRIVE CIRCUIT USED
CONNECTION STYLE	PCB MOUNT (PINS)
OPERATING TEMPERATURE	-20° to +70° C

* VALUES AT RATED VOLTAGE

MPF-4229



ALL DIMENSIONS IN mm

SPECIFICATIONS SUBJECT TO CHANGE WITHOUT NOTIFICATION / MODELS SHOWN SUBJECT TO LIMITED WARRANTY

SALES OFFICE (516)-767-6644

CORPORATE OFFICE

P.O. Box 575, Scotch Plains, NJ. 07076

Phone: (908)-322-2977 Fax: (908)-322-2358

E-mail: info@monacocomponents.com

www.monacocomponents.com