

MONACO COMPONENTS, INC.

EXTERNAL DRIVE STYLE PCB MOUNTING

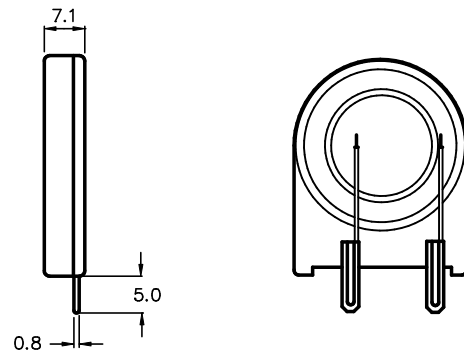
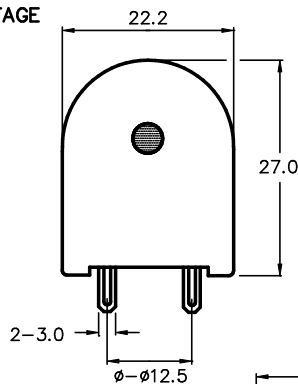
**4000
series**

- Rich sound output.
- High efficiency.
- Low power consumption.

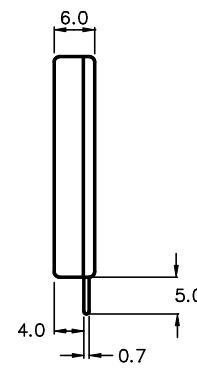
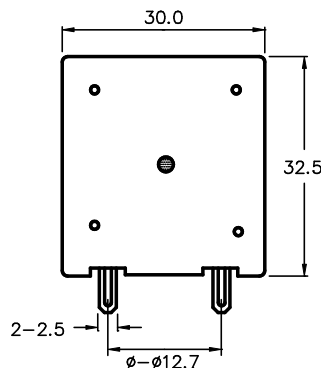
MODEL	MPF-4218	MPA-4306
RESONANT FREQUENCY	2000 Hz	3000 Hz \pm 500 Hz
OPERATING VOLTAGE	30 V _{p-p} MAX.	30 V _{p-p} MAX.
RATED VOLTAGE	3 V _{p-p} SQUAREWAVE	10 V _{p-p} SINEWAVE
CAPACITANCE	30000 \pm 30% pF @ 1000 Hz	16000 \pm 30% pF
DRIVE CIRCUIT	EXTERNAL	EXTERNAL
SOUND PRESSURE *	70 dBA MIN. @ 10 cm @ 2000 Hz	93 dB MIN. @ 30 cm @ 3000 Hz
RESONANT RESISTANCE	200 OHMS MAX.	400 OHMS MAX.
TONE	DEPENDENT ON DRIVE CIRCUIT USED	DEPENDENT ON DRIVE CIRCUIT USED
CONNECTION STYLE	PCB MOUNT (PINS)	PCB MOUNT (PINS)
OPERATING TEMPERATURE	-30° to +70° C	-20° to +60° C

* VALUES AT RATED VOLTAGE

MPF-4218



MPA-4306



ALL DIMENSIONS IN mm

SPECIFICATIONS SUBJECT TO CHANGE WITHOUT NOTIFICATION / MODELS SHOWN SUBJECT TO LIMITED WARRANTY

SALES OFFICE (516)-767-6644

CORPORATE OFFICE

P.O. Box 575, Scotch Plains, NJ. 07076

Phone: (908)-322-2977 Fax: (908)-322-2358

E-mail: info@monacocomponents.com

www.monacocomponents.com