

# MONACO COMPONENTS, INC.

EXTERNAL DRIVE STYLE      PCB MOUNTING

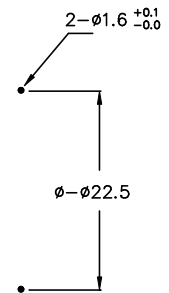
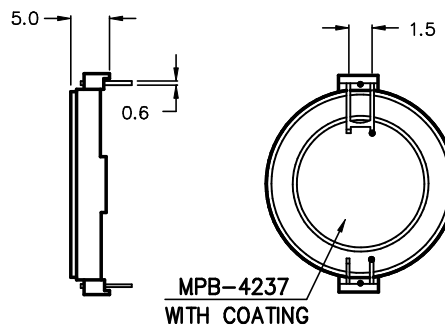
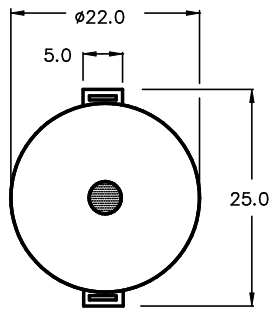
**4000  
series**

- PCB Mounting – Three Pin Styles.
- Small Size and Lightweight.
- Low Current Consumption.

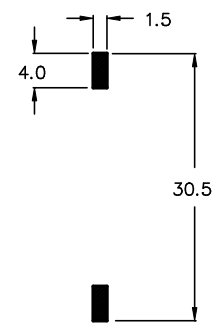
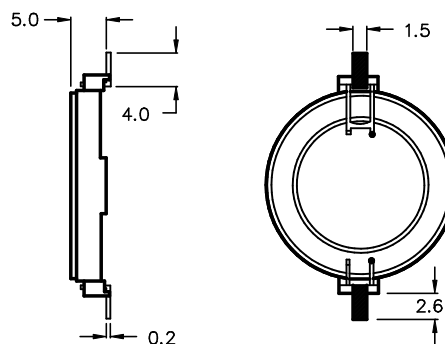
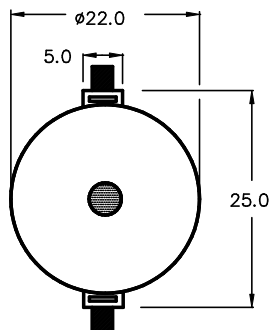
MODEL	MPB-4235	MPB-4237	MPB-4239
FREQUENCY *	2500 Hz @ 10 V <sub>p-p</sub> SQUAREWAVE		
DRIVING CIRCUIT	EXTERNAL		
OPERATING VOLTAGE	50 V <sub>p-p</sub> MAX.		
RATED VOLTAGE	10 V <sub>p-p</sub> SQUAREWAVE		
SOUND PRESSURE *	80 dB @ 10 V <sub>p-p</sub> SQUAREWAVE		
CURRENT CONSUMPTION *	7 mA MAX.		
tone	DEPENDENT ON DRIVE CIRCUIT USED		
CONNECTION STYLE	PCB MOUNT (PINS)		SURFACE MOUNT
OPERATING TEMPERATURE	-20° to +85° C		

\* VALUES AT RATED VOLTAGE

MPB-4235  
MPB-4237



MPB-4239



ALL DIMENSIONS IN mm

SPECIFICATIONS SUBJECT TO CHANGE WITHOUT NOTIFICATION / MODELS SHOWN SUBJECT TO LIMITED WARRANTY

**SALES OFFICE (516)-767-6644**

CORPORATE OFFICE

P.O. Box 575, Scotch Plains, NJ. 07076

Phone: (908)-322-2977 Fax: (908)-322-2358

E-mail: [info@monacocomponents.com](mailto:info@monacocomponents.com)

[www.monacocomponents.com](http://www.monacocomponents.com)