

MONACO COMPONENTS, INC.

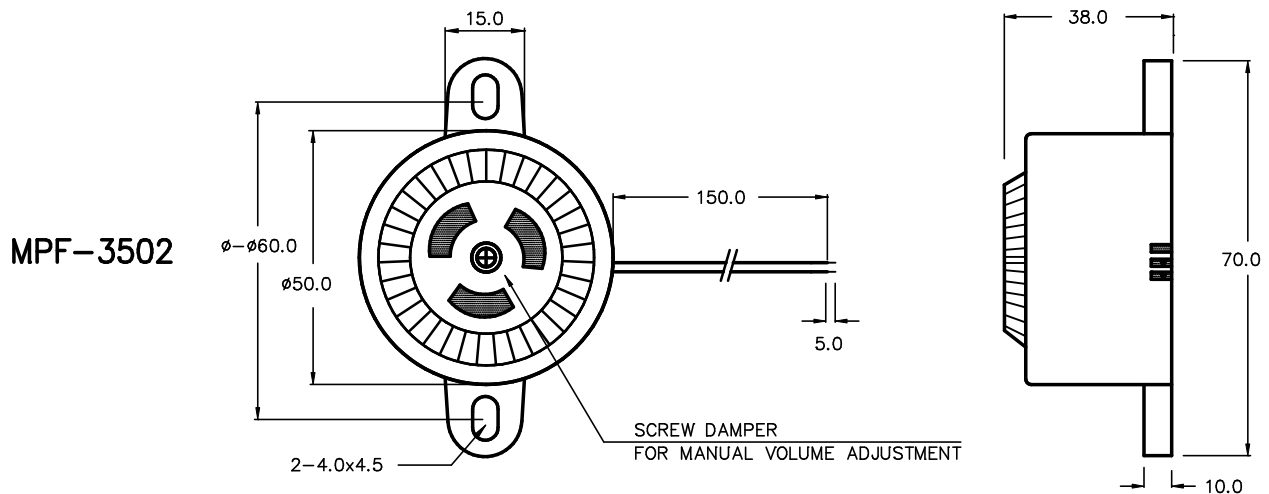
BUILT-IN DRIVE STYLE FLANGE MOUNTING

**3000
series**

- High sound output.
- Screw damper for manual volume adjustment.

MODEL	MPF-3502
FREQUENCY *	3000 - 3200 HZ ± 500 HZ
DRIVING CIRCUIT	BUILT IN
OPERATING VOLTAGE	6 - 16 V
RATED VOLTAGE	12 VDC
SOUND PRESSURE *	105 dBA MIN. @ 30 cm (ADJUSTABLE)
CURRENT CONSUMPTION *	65 mA MAX.
TONE	TWO
CONNECTION STYLE	PCB MOUNT (PINS)
OPERATING TEMPERATURE	-20° to +60° C

* VALUES AT RATED VOLTAGE



ALL DIMENSIONS IN mm

SPECIFICATIONS SUBJECT TO CHANGE WITHOUT NOTIFICATION / MODELS SHOWN SUBJECT TO LIMITED WARRANTY

SALES OFFICE (516)-767-6644

CORPORATE OFFICE

P.O. Box 575, Scotch Plains, NJ. 07076

Phone: (908)-322-2977 Fax: (908)-322-2358

E-mail: info@monacocomponents.com

www.monacocomponents.com