

# MONACO COMPONENTS, INC.

BUILT-IN DRIVE STYLE      FLANGE MOUNTING

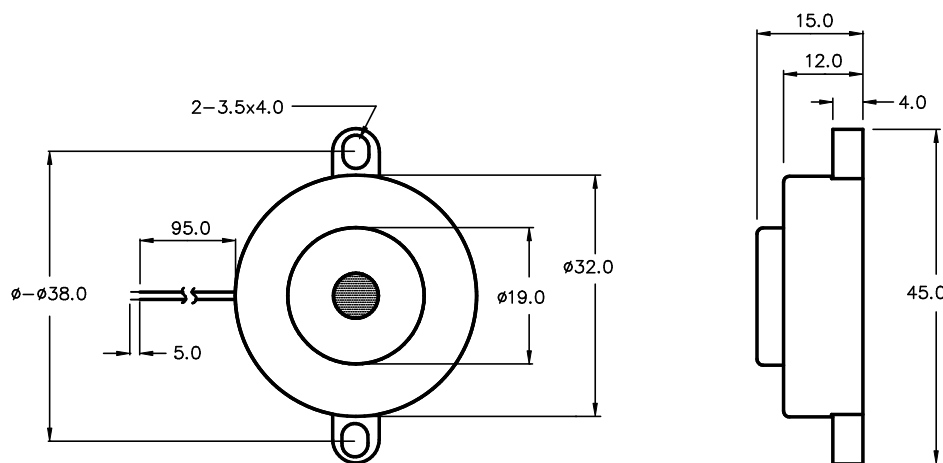
**3000  
series**

- Small size and lightweight.
- Rich sound output.
- Low current drain.

MODEL	MPF-3340
FREQUENCY *	3900 HZ ± 500 HZ
DRIVING CIRCUIT	BUILT IN
OPERATING VOLTAGE	3 - 28 V
RATED VOLTAGE	12 V
SOUND PRESSURE *	87 dBA MIN. @ 30 cm
CURRENT CONSUMPTION *	15 mA MAX.
TONE	CONTINUOUS
CONNECTION STYLE	FLANGE / LEADS
OPERATING TEMPERATURE	-20° to +60° C

\* VALUES AT RATED VOLTAGE

**MPF-3340**  
COLOR : WHITE



ALL DIMENSIONS IN mm

SPECIFICATIONS SUBJECT TO CHANGE WITHOUT NOTIFICATION / MODELS SHOWN SUBJECT TO LIMITED WARRANTY

**SALES OFFICE (516)-767-6644**

CORPORATE OFFICE

P.O. Box 575, Scotch Plains, NJ. 07076

Phone: (908)-322-2977 Fax: (908)-322-2358

E-mail: [info@monacocomponents.com](mailto:info@monacocomponents.com)

[www.monacocomponents.com](http://www.monacocomponents.com)