

MONACO COMPONENTS, INC.

BUILT-IN DRIVE STYLE FLANGE MOUNTING

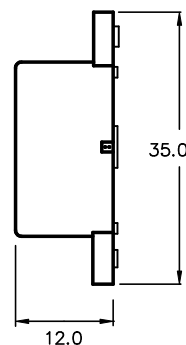
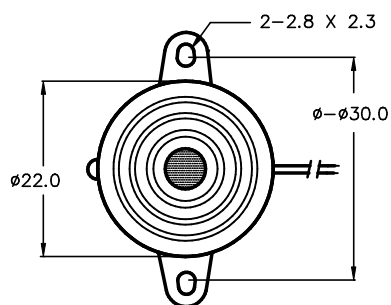
**3000
series**

- High sound output.
- Low current drain.

MODEL	MPF-3216	MPF-3217	MPF-3218
FREQUENCY *	3300 HZ ± 500 Hz		5200 HZ ± 500 Hz
DRIVING CIRCUIT	BUILT IN		
OPERATING VOLTAGE	1.5 - 24 V		
RATED VOLTAGE	9 V	12 VDC	
SOUND PRESSURE *	85 dBA MIN. @ 30 cm	75 dBA MIN. @ 30 cm	90 dBA MIN. @ 30 cm
CURRENT CONSUMPTION *	12 mA MAX.		10 mA MAX.
tone	CONTINUOUS		
CONNECTION STYLE	FLANGE / LEADS		
OPERATING TEMPERATURE	-20° to +70° C		

* VALUES AT RATED VOLTAGE

MPF-3216
MPF-3217
MPF-3218



ALL DIMENSIONS IN mm

SPECIFICATIONS SUBJECT TO CHANGE WITHOUT NOTIFICATION / MODELS SHOWN SUBJECT TO LIMITED WARRANTY

SALES OFFICE (516)-767-6644

CORPORATE OFFICE

P.O. Box 575, Scotch Plains, NJ. 07076

Phone: (908)-322-2977 Fax: (908)-322-2358

E-mail: info@monacocomponents.com

www.monacocomponents.com