

MONACO COMPONENTS, INC.

BUILT-IN DRIVE STYLE FLANGE MOUNTING

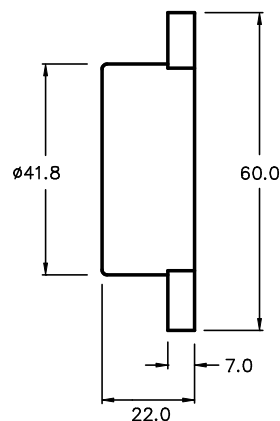
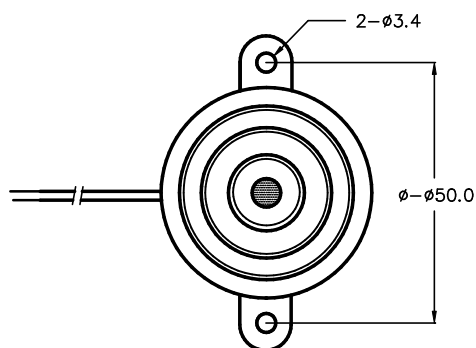
**3000
series**

- High efficiency.
- Rich sound output.
- Operated by AC voltage.

MODEL	MPB-3406	MPB-3408	MPB-3410
FREQUENCY *	2800 HZ ± 500 Hz		
DRIVING CIRCUIT	BUILT IN		
OPERATING VOLTAGE	3 - 30 AC / DC NON-POLAR	30 - 120 AC / DC NON-POLAR	60 - 250 AC / DC NON-POLAR
RATED VOLTAGE	12 V	110 V	220 V
SOUND PRESSURE *	89 dB MIN. @ 30 cm	88 dB MIN. @ 30 cm	100 dB MIN. @ 30 cm
CURRENT CONSUMPTION *	8 mA MAX.	7 mA MAX.	12 mA MAX.
tone	CONTINUOUS		
CONNECTION STYLE	FLANGE / LEADS		
OPERATING TEMPERATURE	-20° to +60° C		

* VALUES AT RATED VOLTAGE

MPB-3406
MPB-3408
MPB-3410



ALL DIMENSIONS IN mm

SPECIFICATIONS SUBJECT TO CHANGE WITHOUT NOTIFICATION / MODELS SHOWN SUBJECT TO LIMITED WARRANTY

SALES OFFICE (516)-767-6644

CORPORATE OFFICE

P.O. Box 575, Scotch Plains, NJ. 07076

Phone: (908)-322-2977 Fax: (908)-322-2358

E-mail: info@monacocomponents.com

www.monacocomponents.com