

MONACO COMPONENTS, INC.

BUILT-IN DRIVE STYLE FLANGE MOUNTING

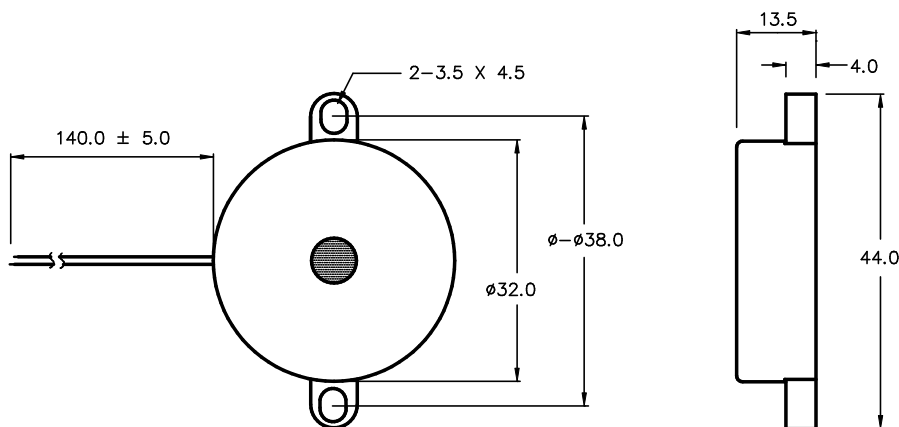
**3000
series**

- Small size and lightweight.
- Rich sound output.
- Low current drain.

MODEL	MPB-3360	MPB-3362
FREQUENCY *	3500 HZ ± 500 Hz	
DRIVING CIRCUIT	BUILT IN	
OPERATING VOLTAGE	3 - 28 V	3 - 20 V
RATED VOLTAGE	12 V	
SOUND PRESSURE *	88 dB MIN. @ 30 cm	93 dB MIN. @ 30 cm
CURRENT CONSUMPTION *	5 mA MAX.	8 mA MAX.
tone	CONTINUOUS	
CONNECTION STYLE	FLANGE / LEADS	
OPERATING TEMPERATURE	-20° to +60° C	

* VALUES AT RATED VOLTAGE

MPB-3360
MPB-3362



ALL DIMENSIONS IN mm

SPECIFICATIONS SUBJECT TO CHANGE WITHOUT NOTIFICATION / MODELS SHOWN SUBJECT TO LIMITED WARRANTY

SALES OFFICE (516)-767-6644

CORPORATE OFFICE

P.O. Box 575, Scotch Plains, NJ. 07076

Phone: (908)-322-2977 Fax: (908)-322-2358

E-mail: info@monacocomponents.com

www.monacocomponents.com