

MONACO COMPONENTS, INC.

BUILT-IN DRIVE STYLE FLANGE MOUNTING

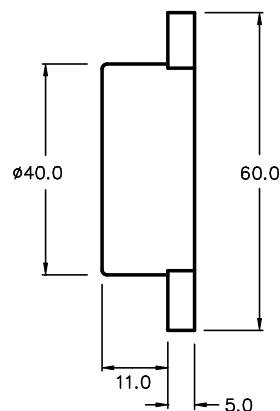
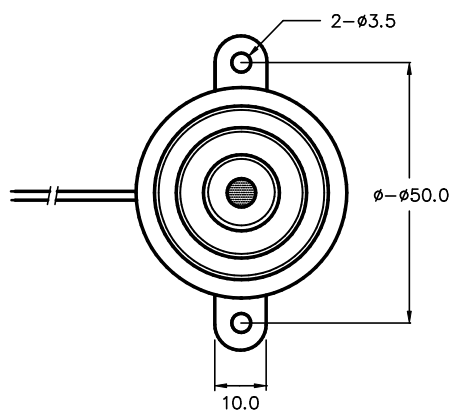
**3000
series**

- Three tone types available
- Rich sound output
- Low current drain

MODEL	MPA-3400	MPA-3402	MPA-3404
FREQUENCY *	2800 HZ ± 500 Hz		
DRIVING CIRCUIT	BUILT IN		
OPERATING VOLTAGE	3 - 24 V		
RATED VOLTAGE	12 V		
SOUND PRESSURE *	100 dB @ 100 cm		
CURRENT CONSUMPTION *	18 mA		
TONE	CONTINUOUS	PULSE	TRIGGER
CONNECTION STYLE	FLANGE / LEADS		
OPERATING TEMPERATURE	-20° to +60° C		

* VALUES AT RATED VOLTAGE

MPA-3400
MPA-3402
MPA-3404
COLOR : IVORY



ALL DIMENSIONS IN mm

SPECIFICATIONS SUBJECT TO CHANGE WITHOUT NOTIFICATION / MODELS SHOWN SUBJECT TO LIMITED WARRANTY

SALES OFFICE (516)-767-6644

CORPORATE OFFICE

P.O. Box 575, Scotch Plains, NJ. 07076

Phone: (908)-322-2977 Fax: (908)-322-2358

E-mail: info@monacocomponents.com

www.monacocomponents.com