

MONACO COMPONENTS, INC.

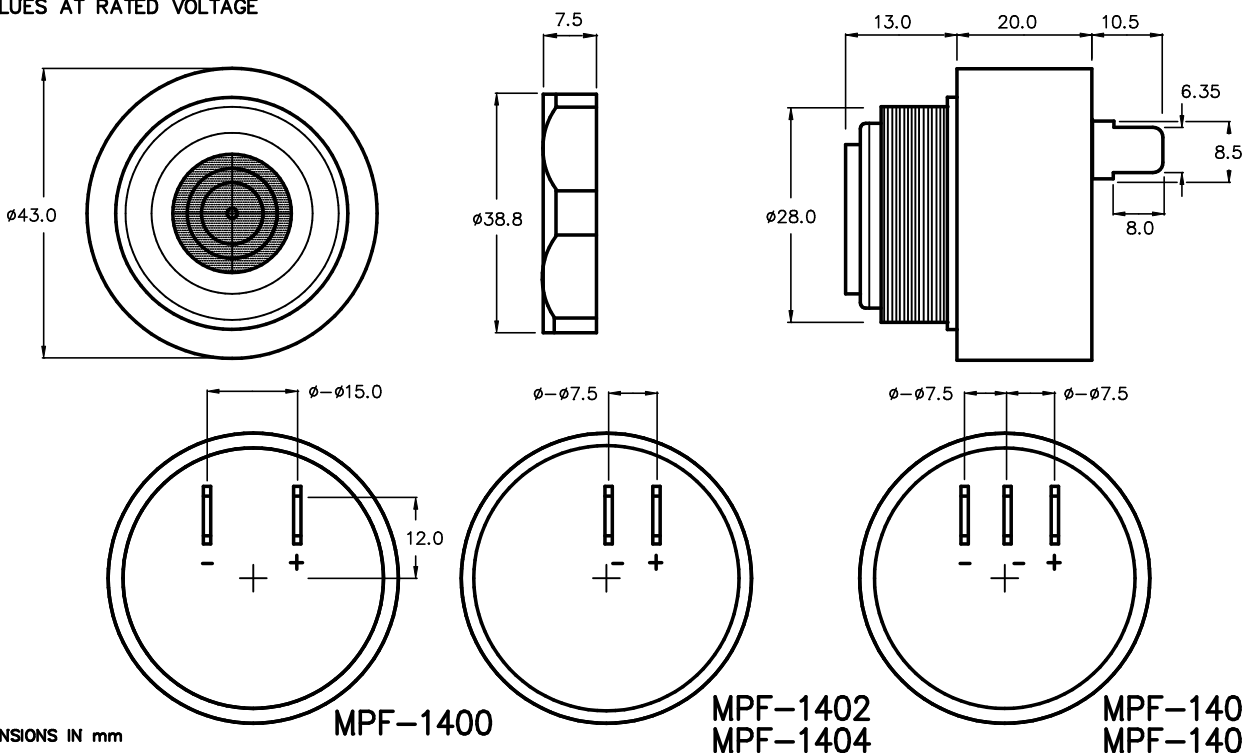
BUILT-IN DRIVE STYLE PANEL MOUNTING

**1000
series**

- Fits 28.57mm (1.125") opening in panels up to 6.35mm (0.25") thick.
- Three different tones and combinations available.
- Supplied with 6.35mm (0.25") quick-disconnect tabs.

MODEL	MPF-1400	MPF-1402	MPF-1404	MPF-1406	MPF-1408
FREQUENCY *	2900 HZ ± 500 Hz				
DRIVING CIRCUIT	BUILT IN				
OPERATING VOLTAGE	6 - 28 V				
RATED VOLTAGE	12 V				
SOUND PRESSURE *	80 dBA MIN. @ 30 cm				
CURRENT CONSUMPTION *	20 mA MAX.				
tone	CONTINUOUS	FAST PULSE	SLOW PULSE	CONTINUOUS+ FAST PULSE	CONTINUOUS+ SLOW PULSE
CONNECTION STYLE	PANEL MOUNT				
OPERATING TEMPERATURE	-20° to +60° C				

* VALUES AT RATED VOLTAGE



ALL DIMENSIONS IN mm

SPECIFICATIONS SUBJECT TO CHANGE WITHOUT NOTIFICATION / MODELS SHOWN SUBJECT TO LIMITED WARRANTY

SALES OFFICE (516)-767-6644

CORPORATE OFFICE

P.O. Box 575, Scotch Plains, NJ. 07076

Phone: (908)-322-2977 Fax: (908)-322-2358

E-mail: info@monacocomponents.com

www.monacocomponents.com