

MONACO COMPONENTS, INC.

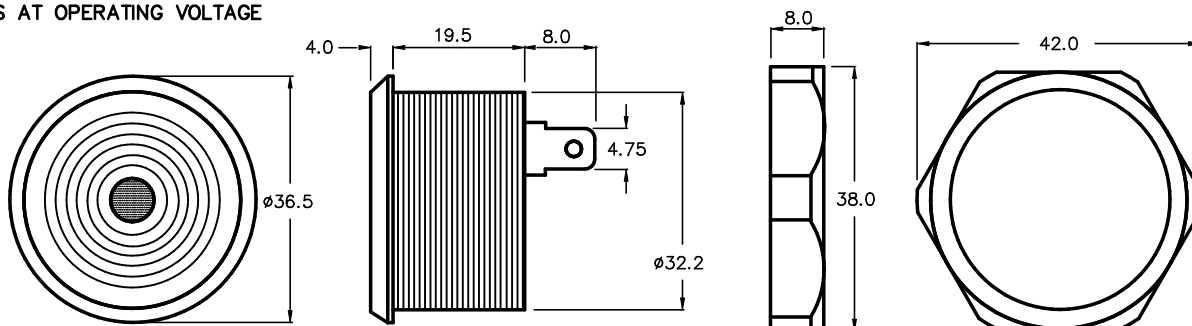
BUILT-IN DRIVE STYLE PANEL MOUNTING

**1000
series**

- Fits 31.75mm (1.25") opening in panels up to 12.7mm (0.50") thick.
- Three different tones and combinations available.
- Front of panel insertion style.
- Supplied with 4.75mm (0.187") quick-disconnect tabs.

MODEL	MPB-1308	MPB-1310	MPB-1312	MPB-1314	MPB-1316
FREQUENCY *	3600 HZ ± 500 Hz				
DRIVING CIRCUIT	BUILT IN				
OPERATING VOLTAGE	4 - 28 V				6 - 28 V
RATED VOLTAGE	N / A				
SOUND PRESSURE *	70 - 85 dB MIN. @ 60 cm				
CURRENT CONSUMPTION *	4 - 18 mA MAX.				
tone	CONTINUOUS	FAST PULSE	SLOW PULSE	CONTINUOUS+ FAST PULSE	CONTINUOUS+ SLOW PULSE
CONNECTION STYLE	PANEL MOUNT				
OPERATING TEMPERATURE	-20° to +60° C				

* VALUES AT OPERATING VOLTAGE

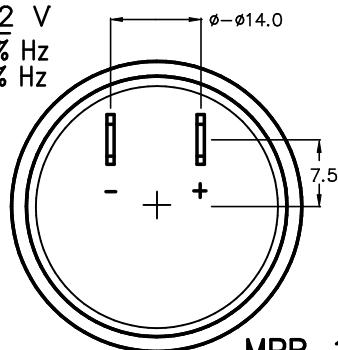


PULSE RATE @ 12 V

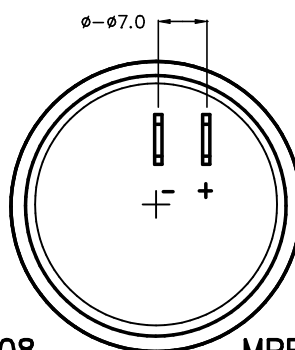
Fast Pulse: 3.5 ±20% Hz

Slow Pulse: 1.2 ±20% Hz

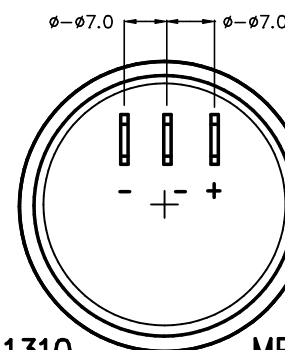
COLOR: GREY



MPB-1308



MPB-1310
MPB-1312



MPB-1314
MPB-1316

ALL DIMENSIONS IN mm

SPECIFICATIONS SUBJECT TO CHANGE WITHOUT NOTIFICATION / MODELS SHOWN SUBJECT TO LIMITED WARRANTY

SALES OFFICE (516)-767-6644

CORPORATE OFFICE

P.O. Box 575, Scotch Plains, NJ. 07076

Phone: (908)-322-2977 Fax: (908)-322-2358

E-mail: info@monacocomponents.com

www.monacocomponents.com